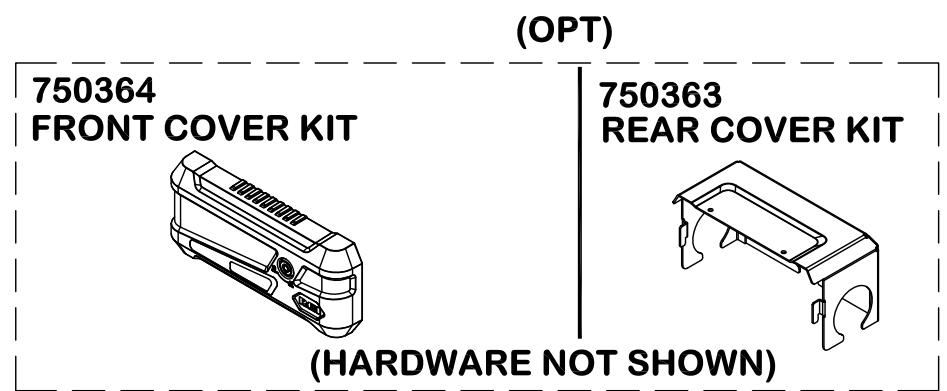
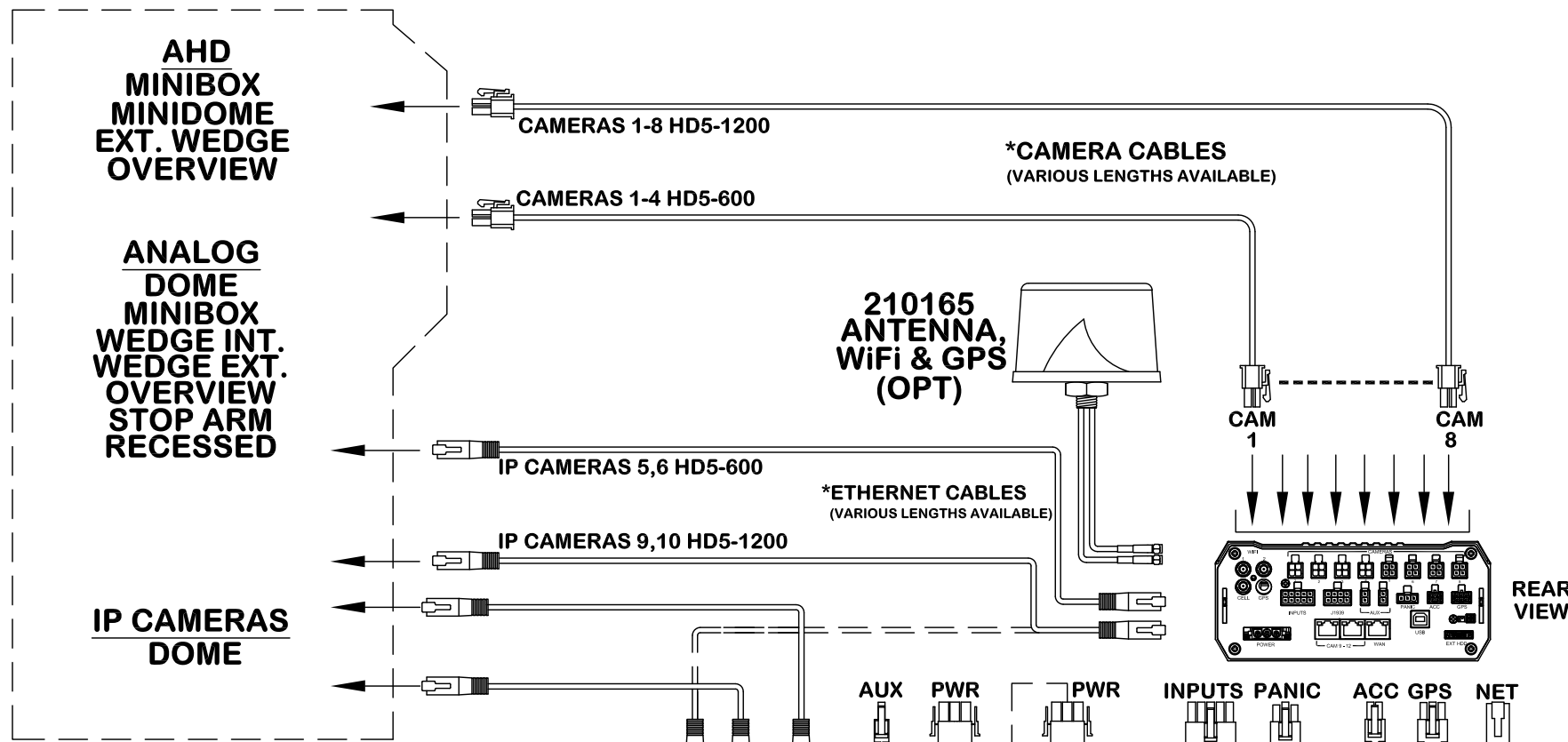
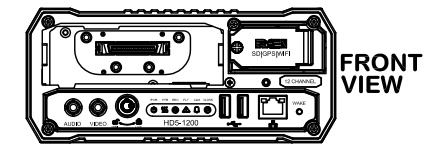


HD5 SERIES MDVR System Diagram

CAMERAS



- 710607 - HD5-600
 710608 - HD5-600 WiFi
 710609 - HD5-1200 WiFi

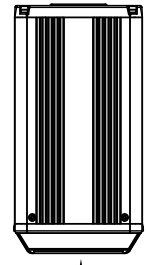
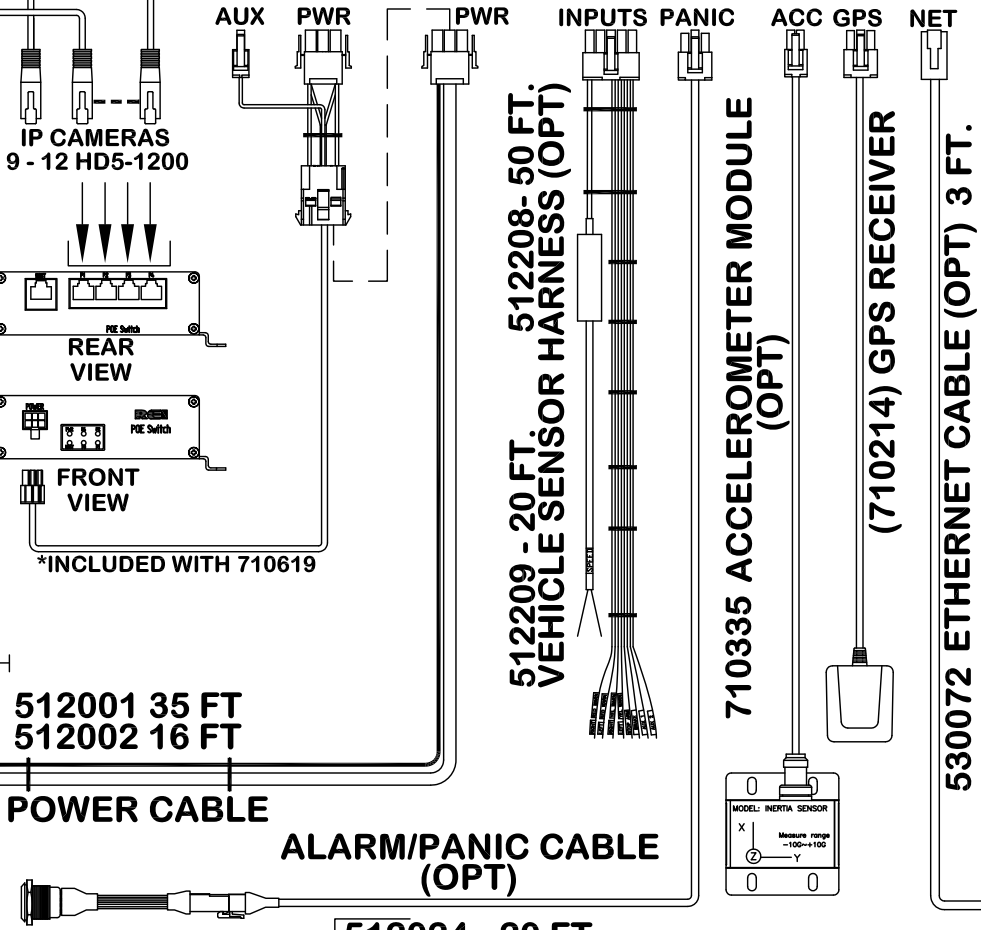
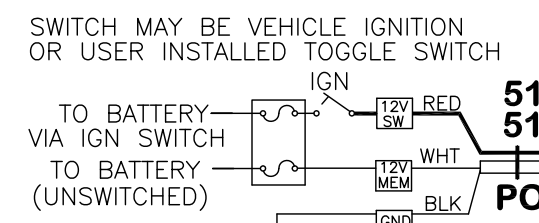
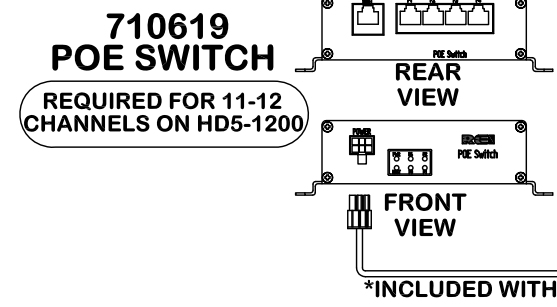


- (OPT)
 REI APPROVED SD CARDS

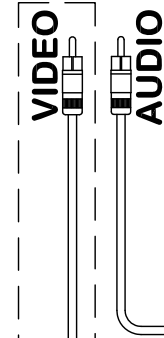
- SD CARDS
 690633 - 32 GB
 690695 - 64 GB
 690820 - 128 GB
 690821 - 256 GB



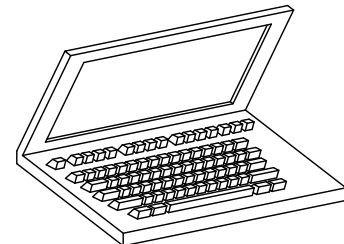
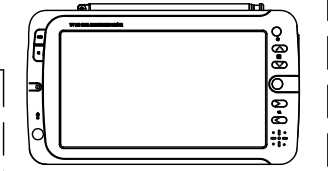
- OPTIONAL NOT SHOWN
 512432 - J1939 CABLE 'Y'
 690816 - MOUSE
 710429 - OUTPUT MODULE
 710539 - RFID MODULE
 710610 - WiFi DONGLE
 710654 - 8 IN. TABLET PC



- 710638 - 500 GB
 710639 - 1 TB
 SSD MODULE
 710640 - 500 GB
 710641 - 1 TB
 710642 - 2 TB



- 530018 CABLE 3FT.
 110468 ADAPTOR









RADIO ENGINEERING IND.
 6534 'L' Street Omaha, NE
 www.radioeng.com

- OEM 512024 - 20 FT.
 512025 - 40 FT.
 AFTERMARKET 511986 - 20 FT.
 512023 - 40 FT.

Status Indicators, Front Panel

| LABEL | COLOR | FUNCTION |
|------------------|--------|-------------------------|
| PWR | Blue | Power Indicator |
| HTR | Orange | Heater Activity |
| REC | Green | Record Indicator |
| HDD | Green | HDD Activity (R/W) |
| FLT | Red | Fault Indicator |
| ALM | Amber | Alarm Indicator |
| CAMERA 1- 4 or 8 | Green | Camera Video Indicators |

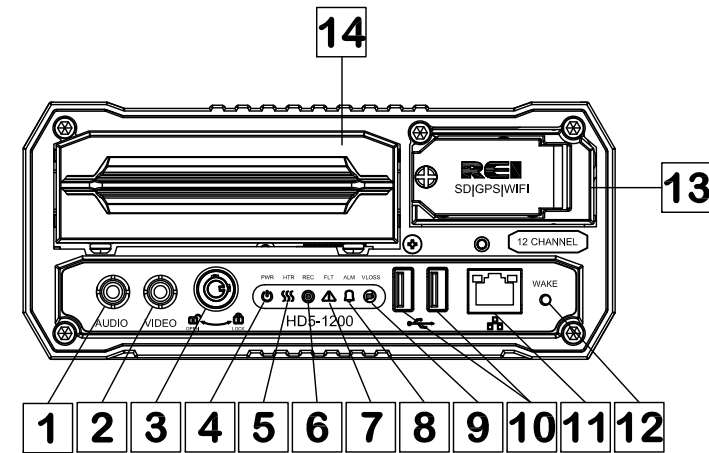
Alarm and Fault Indicators

| | Pattern | DVR Status |
|--|------------------------------------|--------------------------------|
|  FLT  ALM | 1 short flash every 4 seconds | Blind Camera |
| | 2 short flashes every 4 seconds | Video Loss / Camera Fault |
| | 3 short flashes every 4 seconds | HDD Fault |
| | 4 short flashes every 4 seconds | System Fault |
|  FLT  ALM | fast flash | SD or USB Write in progress |
| | 1 short flash every second | Alarm video on SD or USB |
| | 1 short flash every 2 seconds | Protected Alarm video on HDD |
| | 1 short flash every 4 seconds | Alarm video on HDD |
| | solid/1short off every 4 seconds | Panic Alarm in-progress |
| | solid/2 short offs every 4 seconds | Speed Alarm in-progress |
| | solid/3 short offs every 4 seconds | Acceleration Alarm in-progress |
| | solid/4 short offs every 4 seconds | Input Alarm in-progress |
|  FLT  ALM | fast flash together | Firmware Update in-progress |
| | fast flash alternating | Configuration load in-progress |
| | flash together 1 per second | SD or USB Full |
| | | |

Power Indicator

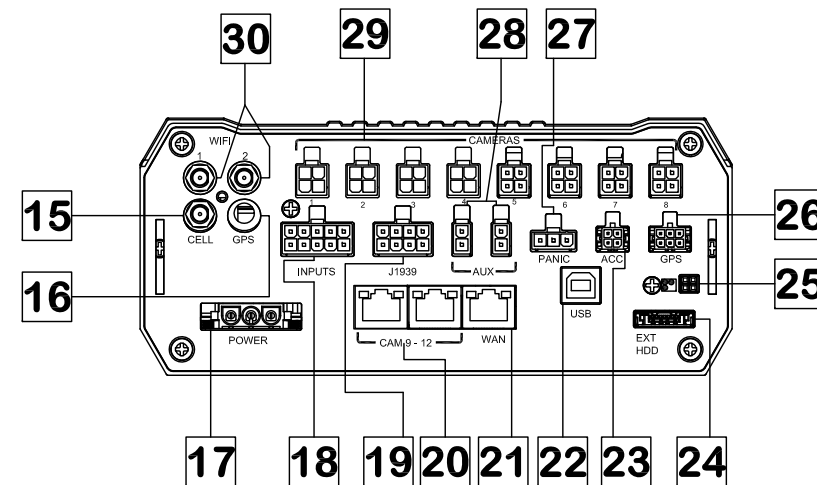
| Pattern | DVR Status |
|-------------------------------------|---|
| on solid | DVR on (normal) |
| solid / 1 short off every 4 seconds | DVR on / cameras off (low power mode) |
| 1 short flash every 4 seconds | Standby - waiting for ignition |
| 2 short flashes every 4 seconds | Standby - waiting for time |
| 3 short flashes every 4 seconds | Standby - waiting for time OR ignition |
| 4 short flashes every 4 seconds | Standby - waiting for time AND ignition |

FRONT PANEL LAYOUT



- | | |
|------------|-------------------------------------|
| 1 AUDIO | 8 ALARM |
| 2 VIDEO | 9 VLOSS |
| 3 HDD LOCK | 10 USB (X2) |
| 4 POWER | 11 NET |
| 5 HEATER | 12 WAKE |
| 6 RECORD | 13 SD/INTERNAL COMMUNICATION MODULE |
| 7 FAULT | 14 STORAGE |

REAR PANEL LAYOUT



- | | |
|-----------------------|-------------------------|
| 15 CELL MODEM ANTENNA | 23 ACCELEROMETER PORT |
| 16 INTERNAL GPS | 24 EXTERNAL STORAGE |
| 17 POWER & IGNITION | 25 CONSOLE OUTPUT |
| 18 VEHICLE SIGNALS | 26 EXTERNAL GPS |
| 19 J1939 INPUT | 27 PANIC |
| 20 IP CAMERAS (9-12) | 28 AUX POWER (X2) |
| 21 WAN | 29 ANALOG CAMERAS (1-8) |
| 22 USB PORT | 30 WI FI ANTENNAS (X2) |